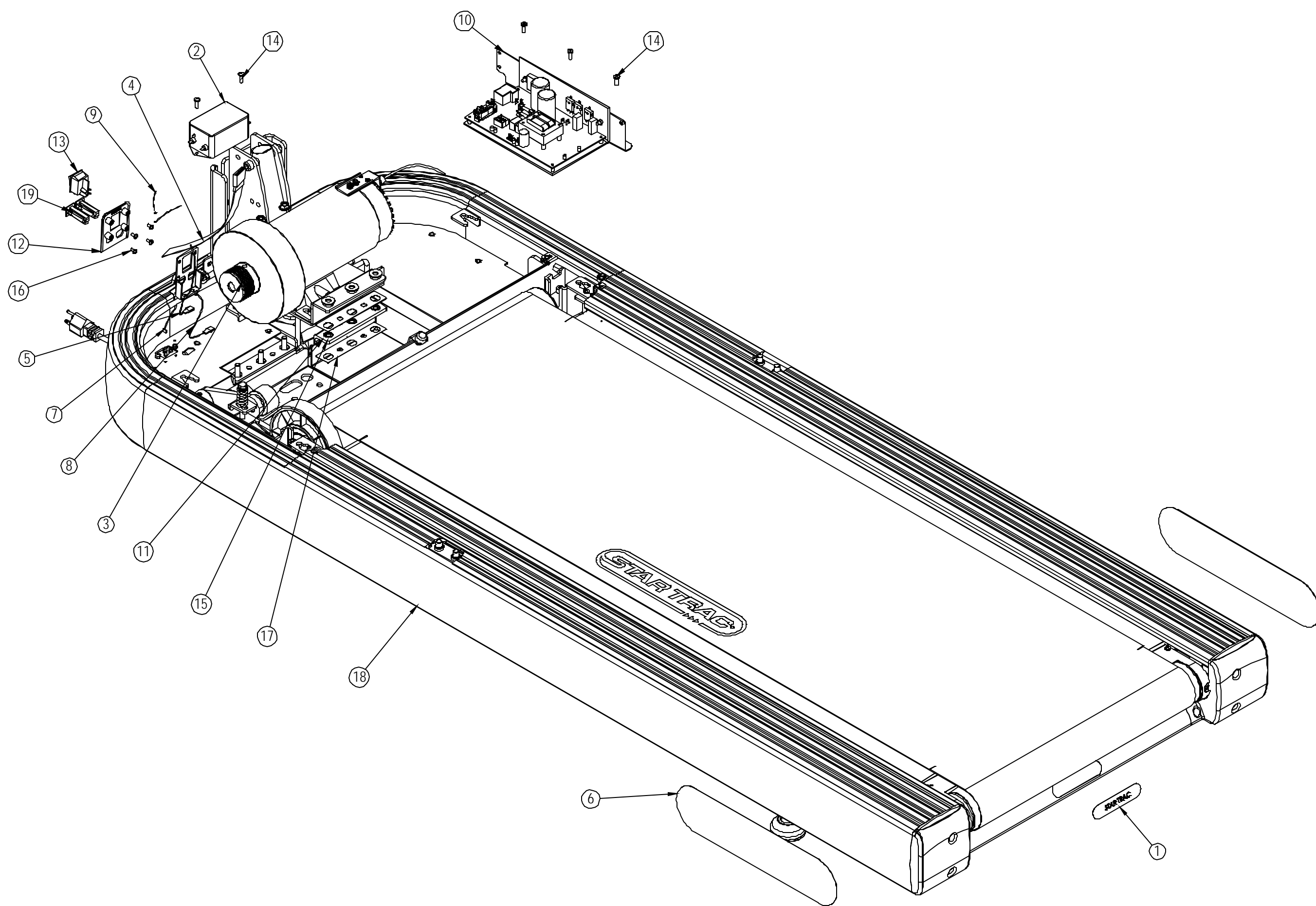


REVISION HISTORY				
REV	DATE	DESCRIPTION	ECO	BY
A	09-18-07	INITIAL RELEASE OF PRODUCTION	11717	SJ



ITEM NO.	STAR TRAC P/N	INRAY P/N	DESCRIPTION	QTY.
1	050-2113	050-2113	LOGO, REAR CROSS BAR, S-TR	1
2	440-0257	440-0257	FILTER, EMI, 250V, 16A	1
3	740-6157	740-6157	ASSY, MOTOR, 90 VDC, W/ BRACKET	1
4	740-6022	740-6022	Assy, Cable, Main Interface, Lower	1
5	740-6023	740-6023	Assy, Cable, AC, L1	1
6	050-2073	050-2073	LABEL, STAR TRAC, 15X3.55"	2
7	740-6031	740-6031	Assy, Cable, AC, EMI To MCB, AC/L1	1
8	740-6032	740-6032	Assy, Cable, AC, EMI To MCB, N/L2	1
9	740-6036	740-6036	Assy, Cable, Generic GND 2, Sport Tread	2
10	740-6156	740-6156	ASSY, MCB, 110V, W/BACKET, TR	1
11	740-6080	STDP2200	GASKET, MOTOR BRK INSULATOR	2
12	740-6081	STDP2600	BASE, BREAKER, W/INSERTS	1
13	740-6116	F23	SWITCH, ON/OFF, 110V, 18A	1
14	740-6512	GB818M5*15;   2	SCREW, GB818M5*15	5
15	740-6520	GB6177M8CL2	NUT, GB6177M8CL2	6
16	740-6521	GB818M4*8;   2	SCREW, GB818M4*8	4
17	740-6129	STDP2300	INSULATOR, MOTOR PAD, MYLAR, S-TRc	4
18	740-6147	740-6147	ASSY, ELEV & RUNNING, 110V 16A, TR-11	1
19	740-6117	F18	BREAKER, 18AMP	2

NOTICE OF PROPRIETARY INFORMATION  
 THIS DOCUMENT SHALL NOT BE REPRODUCED NOR SHALL THE INFORMATION CONTAINED HEREIN BE USED BY OR DISCLOSED TO OTHERS EXCEPT AS EXPRESSLY AUTHORIZED BY UNISEN INC. D.B.A. STAR TRAC.

DOCUMENT STATUS:

CLASS OF WORK	UNLESS OTHERWISE SPECIFIED DIMS ARE IN mm. TOLERANCES FOR MEASURE OF LENGTH ARE:						
	0.5 to 3	> 3 to 6	> 6 to 30	> 30 to 120	> 120 to 400	> 400 to 1000	> 1000 to 2000
FINE	±0.05	±0.05	±0.1	±0.15	±0.2	±0.3	±0.5
MEDIUM X	±0.1	±0.1	±0.2	±0.3	±0.5	±0.8	±1.2
COARSE	±0.2	±0.3	±0.5	±0.8	±1.2	±2	±3
VERY COARSE	-----	±0.5	±1	±1.5	±2.5	±4	±8

MATERIAL  
SEE BOM

FINISH  
N/A

VENDOR: P/N: 740-6150

THIRD ANGLE PROJECTION		
DRAWN	INITIAL	DATE
CHECKED	SJIN	07-24-07
APPROVED		

UNISEN, INC. DBA 14410 Myford Road Irvine CA 92606

STARTRAC PART NO. **740-6150** REV **A**

TITLE **ASSY, BASE, 110V 16A, S-TR-11**

SCALE: 1:6 SHEET 1 OF 1 SHEET SIZE: C

NOTES:

